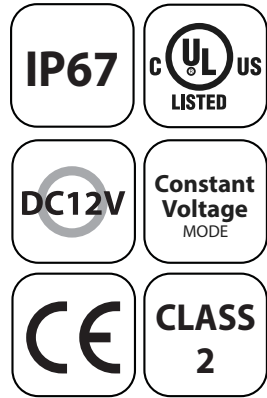


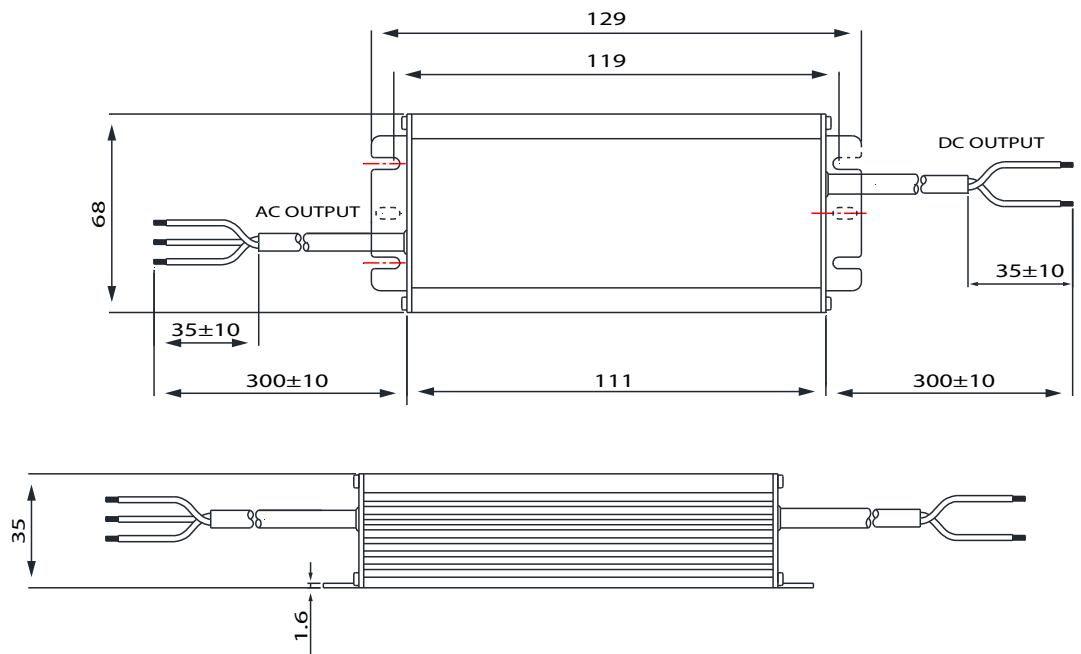
Characteristics



- **Constant Voltage design(C.V. mode)**
- AC input automatic voltage selection : 110-277V
- Protections:
  - Input surge / Output over current / Over voltage / Short circuit / Over temperature
- IP67 design for outdoor installations
- Dry, damp and wet locations
- Suitable for LED lighting and moving sign applications
- Surge immunity : Line-Line 4KV, Line-Earth 6KV
- High power factor >0.96(277Vac & full load)
- Metal case
- Class 2 power unit
- Safety standards : UL8750 recognized U.S and canada certified
- EMC standards : FCC Part 15

Physical

■ Dimension: unit(mm)

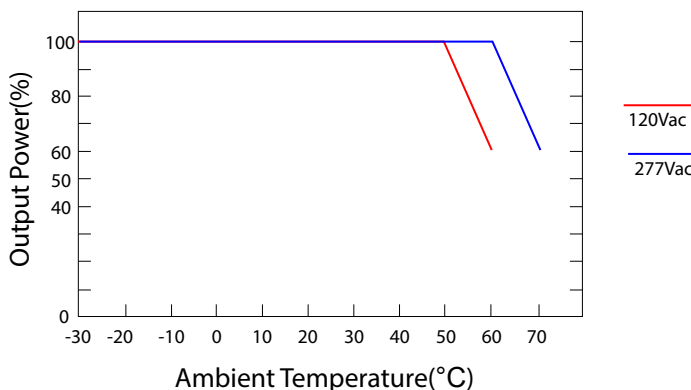


Dimension : 5.07" x 2.67" x 1.37" inch (LxWxH)  
 Weight : 1.21 lbs.

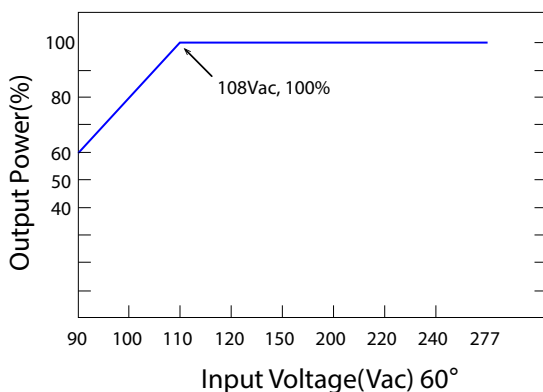
Other Characteristics

ITEM		V2-060B012
INPUT	VOLTAGE RANGE	AC110~277V (Min 90)
	FREQUENCY RANGE	47~63Hz
	EFFICIENCY(typ.)	87%
	AC CURRENT	5.0A Max. 110-277Vac & full load
	INRUSH CURRENT(Max.)	45A 277VAC 100% load
	LEAKAGE CURRENT	<0.70mA / 240VAC/60Hz
OUTPUT	DC VOLTAGE	12V
	RATED CURRENT	5A
	RATED POWER	60W
	RIPPLE&NOISE(max.) Note1	240mV
	OUTPUT OVERSHOOT	5%
	OUTPUT CURRENT TOLERANCE	± 5%
	LINE REGULATION Note2	1%
	LOAD REGULATION Note3	2%
PROTECTION	TURN-ON DELAY TIME	1S/120Vac at full load, 0.5S/277Vac at full load
	SHORT CIRCUIT	Hiccup mode: recovers automatically after fault condition is removed
	OVER CURRENT Note4	Hiccup mode: recovers automatically after fault condition is removed
	OVER VOLTAGE5	Hiccup mode
OTHERS	OVER TEMPERATURE	90±10°C(temp. Sensor) Hiccup mode: output shall return to normal when faulty is removed
NOTE	DIMENSION/WEIGHT	129*68*35(L*W*H) 550g/pcs
	1. Full load, Measured by 20 MHz bandwidth oscilloscope and the output paralleled a 0.1uF ceramic capacitor and a 10uF electrolytic capacitor. 2. L 25°C±10°C ambient temperature, input voltage changes from 100Vac to 277Vac. 3. L 25°C±10°C ambient temperature, 277Vac input, load changes from 50% to 100% 4. The overcurrent protection value shall not exceed 2.7times of the maximum load. 5. When the output voltage is over 110~140% Rated Load Voltage, the driver shuts off automatically and enters protection status. The driver will work normally after fault condition removed and AC input re-apply.	

DERATING CURVE

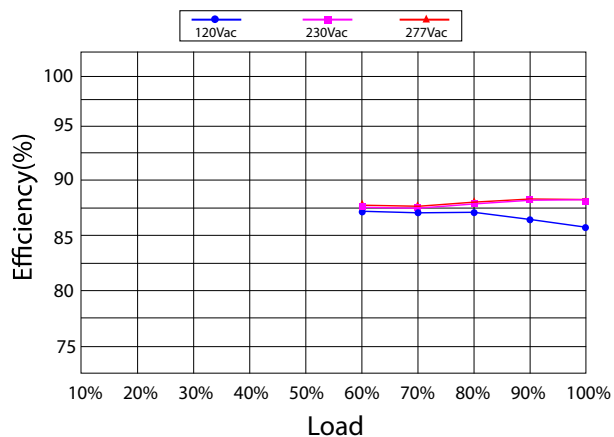


INPUT VOLTAGE VS LOAD

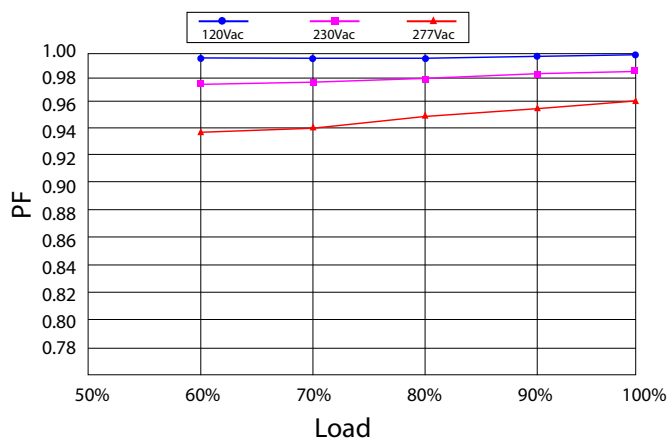


Other Characteristics (Continued)

EFFICIENCY VS LOAD



POWER FACTOR VS LOAD CURVE



TOTAL HARMONIC DISTORTION VS LOAD CURVE

